



SLIMLINE ELECTROL®

Automatic Electric Projection Screen

SPECIFICATION DATA

DA-LITE SCREEN COMPANY, INC.
 3100 North Detroit Street
 Post Office Box 137
 Warsaw, Indiana 46581-0137
 Phone: 574-267-8101
 800-622-3737
 Fax: 574-267-7804
 www.da-lite.com
 e-mail: info@da-lite.com

SUGGESTED SPECIFICATIONS: _____ projection screens, _____ (H) x _____ (W), electrically operated 120 volt (60 HZ) 1.2 amp. Shall have specially designed motor mounted inside the roller to be three wire with ground quick reversal type, oiled for life, with automatic thermal overload cut-out, integral gears, capacitor and an electric brake to prevent coasting. To have preset but adjustable limit switches to automatically stop picture surface in the "up" and "down" positions. The roller to be of rigid aluminum, 1-1/2" in diameter. Screen fabric to be flame retardant and mildew resistant fiberglass with Matte White or High Power picture surface. (With black masking borders.) Bottom of fabric shall be mounted into a metal strip in a tubular steel slat finished in baked enamel. Ends of the slat shall be protected by plastic outer caps. Case to be painted black 22 gauge embossed steel, 2-3/4" in width, octagon in shape with flat back design finished in baked enamel. Case with sturdy brackets for wall or ceiling installation. To be complete with 3 ft. control cable to operating switch built into line and 6 ft. power cable (2 wire plus ground) from switch to 3-prong plug. Screen to be listed by Underwriters' Laboratories and CSA.



All viewing surfaces will be seamless.

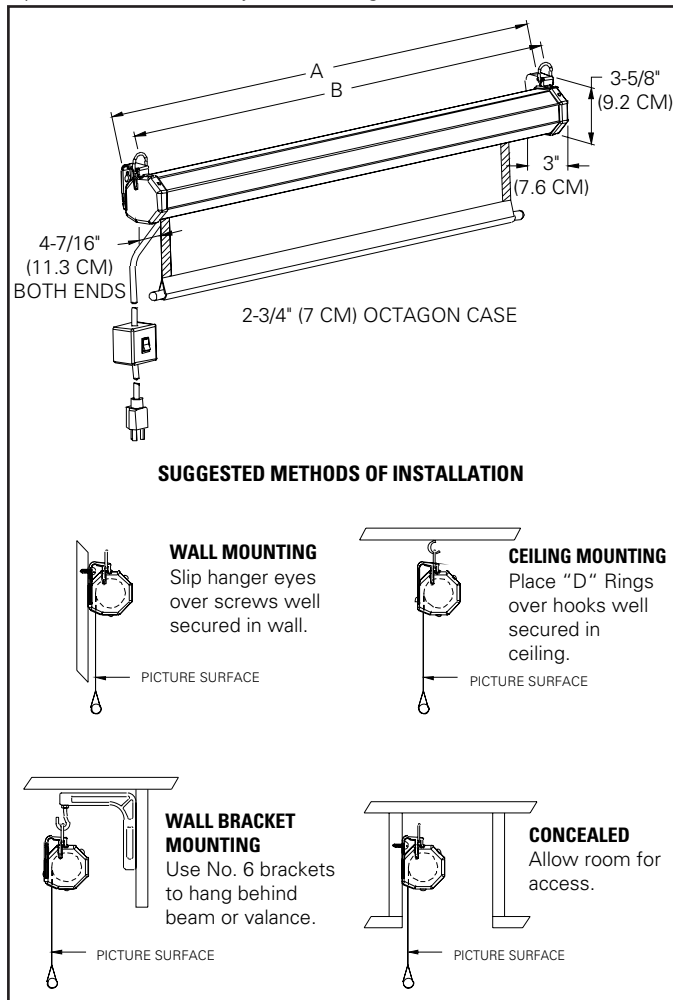
VIDEO FORMAT SIZES

| Viewing Area Sizes | | Nominal Diagonal | | A - Overall Case Length | | B - Between Hanger Eyes | | Approx. Ship. Wt. | |
|--------------------|-----------|------------------|-----|-------------------------|-----|-------------------------|-----|-------------------|------|
| H x W | Cm | In. | Cm | In. | Cm | In. | Cm | Lbs. | Kg |
| 43" x 57" | 109 x 145 | 72" | 183 | 68-7/8" | 175 | 68-1/8" | 173 | 22 | 10.0 |
| 50" x 67" | 127 x 170 | 84" | 213 | 78-7/8" | 200 | 78-1/8" | 198 | 24 | 10.9 |
| 60" x 80" | 152 x 203 | 100" | 254 | 92-7/8" | 236 | 92-1/8" | 234 | 26 | 11.8 |

DIMENSIONS

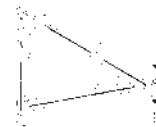
| Sizes | | A - Overall Case Length | | B - Between Hanger Eyes | | Approx. Ship. Wt. | |
|-----------|-----------|-------------------------|-----|-------------------------|-----|-------------------|------|
| H x W | Cm | In. | Cm | In. | Cm | Lbs. | Kg |
| 60" x 60" | 152 x 152 | 68-7/8" | 175 | 68-1/8" | 173 | 22 | 10.0 |
| 70" x 70" | 178 x 178 | 78-7/8" | 200 | 78-1/8" | 198 | 24 | 10.9 |

Specifications are subject to change without notice.

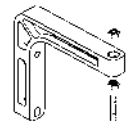


HANGING BRACKETS

(Optional at extra cost)



NO. 11 WALL BRACKET
 Non-adjustable permits screen to extend 10" or 14" from wall.



NO. 6 WALL BRACKET
 Non-adjustable permits screen to extend 6" from wall.

PLEASE MARK APPROPRIATE SELECTIONS:

Select size from chart above

Select viewing surface:

- Matte White High Power

Options:

- No. 6 Non-adjustable Extension Brackets
 No. 11 Non-adjustable Extension Brackets
 220V (50 HZ Motor)
 No Borders (Black Masking Borders standard)

Project: _____

Architect: _____

Phone: _____

Contractor: _____

Phone: _____

Supervisor: _____

Phone: _____

Date: _____

Revised: _____