

Installation/Operating Instructions Baronet Electric Projection Screen by Draper

Caution

- ① Read instructions through completely before proceeding.
- ② Follow instructions carefully. Installation contrary to instructions invalidates warranty.
- ③ Screen should be accessible for complete removal should fabric become damaged or should other service be required.
- ④ Screen should be installed level (using a carpenter's level).
- ⑤ Nothing should be fastened to screen dowel or viewing surface.
- ⑥ Screen operates on 110-120V, 60 Hz. or 220-230V 50 Hz. current, depending on model ordered.

NOTE: Screen has been thoroughly inspected and tested at factory and found to be operating properly prior to shipment.

Hanging Screen

General:

When locating viewing surface and checking clearance for screen's operation, remember surface is centered in case. Handle case carefully to protect finish. Regardless of mounting method, screen should be positively and securely supported so that vibration or even abusive pulling on the viewing surface will not cause case to work loose or fall. Installer must insure that fasteners used are of adequate strength and suitable for mounting surface chosen.

Suspended Installation:

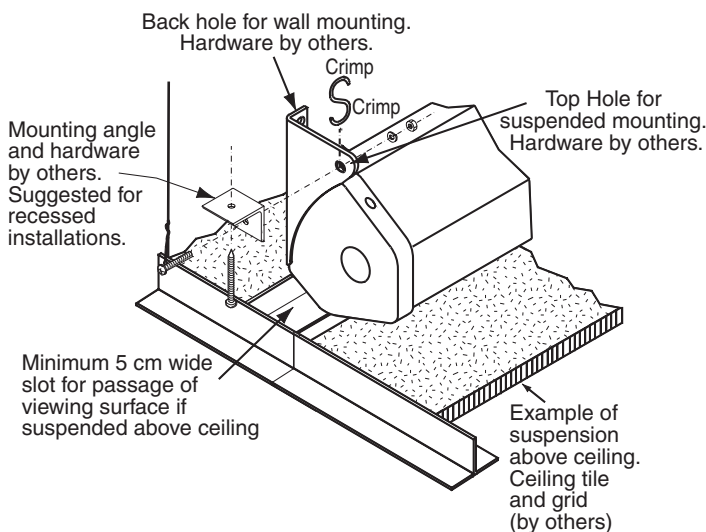
Suspend screens from holes in top of endcaps as shown. S-hooks, chains (or cable) and turnbuckles should be provided by installer. "S" hooks should go through the front holes on the endcaps (see drawing below), and both ends of the "S" hooks should be crimped for additional safety. Chains should be attached to beams or other structural members. Turnbuckles should be adjusted so screen hangs level.

Wall Installation:

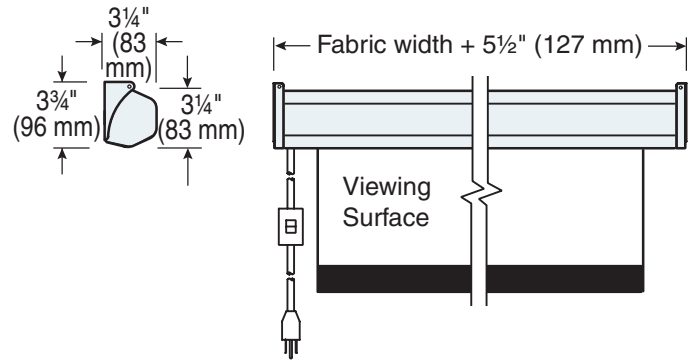
Mount screen through holes in back of endcaps as shown. Installer should furnish appropriate hardware as required.

Recessed Installation:

Recess should permit access for removal of screen if necessary. Screen may be mounted using angles (by others), or by utilizing steps for wall or suspended installation. Angles should be attached to beams or other structural members.



Case Dimensions



Electrical Connections

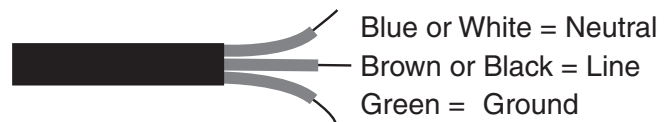
110-120V Model:

Screen operates on 110-120V 60 hz. current. Screen shipped with internal wiring complete. No external wiring needed. Plug cord into standard 110-120V AC outlet.

All operating switches should be "OFF" before power is connected.

220-230V Model:

Screen operates on 220-230V 50 hz. current. Screen is shipped with internal wiring complete. Power cord leads need to be wired to 220V power supply or to an appropriate plug (not provided) and then plugged into standard 220-230V AC outlet. See diagram below for wire colors.



All operating switches should be "OFF" before power is connected.

Operation

Before operating screen, remove tape securing fabric and dowel to case. Screen dowel will initially be hanging about 1 1/2" (5 cm) out of the case. Screen is equipped with a 3-position operating switch, located on the power cord. To lower the screen, move switch down. Screen will stop automatically when lower limit switch is reached. To raise the screen, move switch up. Again, the screen will stop automatically when the upper limit switch is reached. The screen may be stopped in any intermediate position by moving the switch to the center "off" position during operation.

Adjustments

Screen has been factory set and should not normally require further adjustment. However, if you desire to change the "up" and "down" stopping positions, proceed as follows:

"Down" limit switch: Down stopping position can be adjusted by turning knob #1 with a screw driver or hex wrench. Turning knob counterclockwise will allow viewing surface to run farther down. Turning it clockwise will reduce the amount of exposed viewing surface.

"Up" limit switch: Up stopping position can be adjusted by turning knob #2 with a screw driver or hex wrench through the small grommet. Turning knob counterclockwise will allow surface to run farther into screen case. Turning it clockwise will allow viewing surface to stop farther out of screen case.

CAUTION: Be sure all switches are in "off" position before adjusting limit switches. Always be prepared to shut screen off manually when new adjustment is being tested. Screen may be severely damaged if viewing surface is allowed to run too far up or too far down.

DRAPER

411 S. Pearl St., Spiceland, IN 47385 USA ■ 765-987-7999 ■ fax 765-987-7142

e-mail draper@draperinc.com ■ www.draperinc.com

Copyright © 2005 Draper Inc. Form Baronet_Inst05-R

Printed in U.S.A.

If you encounter any difficulties installing or servicing your Baronet screen, call your dealer or contact Draper, Inc., Spiceland, Indiana, 765-987-7999; fax 765-987-1689; or e-mail draper@draperinc.com.