

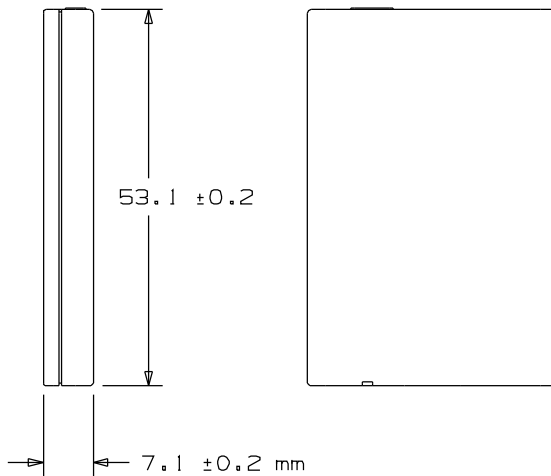
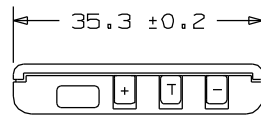


# Kodak Li-Ion Rechargeable Battery

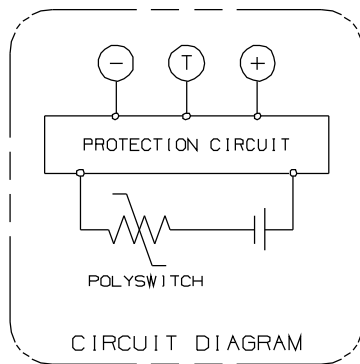
Recommended for Kodak digital cameras

KLIC-5000

Effective : January 2006



System:	Lithium Ion
Designation:	ANSI / IEC
Nominal Voltage:	3.7 Volts
Capacity:	1150mAh nominal
End Voltage:	3.0 Volts
Charging Current: (Std.)	1.0CA (=1.0A)
Charging Voltage:	4.20±0.05 Volts
Charging Time: (Std.)	3 Hours
Discharging Current: (Std.)	1.0CA (=1.0A)
Discharging Current: (Max.)	2.0 A
Charging Cycles:	Up to 300
Internal Resistance:	100±50 mOhm
Temperature Range:	0° C to +50° C Operating -20° C to +30° C Storage 0° C to +40° C charging
Approx. Weight:	28 grams
Volume:	13.3 cm <sup>3</sup>
Terminals:	Flat Contacts
Jacket:	Plastic Housing, Film Label



The curves and data in this publication represent product tested under the conditions specified. They do not represent standards or specifications which must be met by Eastman Kodak Company. The company reserves the right to change and improve product characteristics at any time.

For more information, contact  
EASTMAN KODAK COMPANY  
343 State Street  
Rochester, New York 14650-0811  
1-800-242-2424  
[www.kodak.com/go/batteries](http://www.kodak.com/go/batteries)